

Operating Instructions

EVO 5

Hand Knife Sharpening Machine



Operating Instructions

EVO 5 Hand Knife Sharpening Machine

Manufacturer

KNECHT Maschinenbau GmbH
Witschwender Straße 26
88368 Bergatreute
Germany

Phone +49-7527-928-0
Fax +49-7527-928-32

mail@knecht.eu
www.knecht.eu

Documents for machine operator

Operating Instructions

Date of issue of the operating instructions

September 8, 2025

Copyright

The copyright for these operating instructions as well as other documents for the machine operator is held by KNECHT Maschinenbau GmbH. They are supplied only to customers and operators of our products and belong to the machine.

Without our express permission, these documents may neither be duplicated nor made accessible to third parties, in particular competitor companies.

Table of Contents

1.	Important notes	7
1.1	Preface to the operating instructions	7
1.2	Warnings and symbols in the operating instructions	7
1.3	Warning and mandatory signs and their meaning	8
1.3.1	Warning and mandatory signs on the grinding machine	8
1.3.2	General warning and mandatory signs	8
1.4	Rating plate and machine serial number	10
1.5	Figure and position numbers in the operating instructions	10
2.	Safety	11
2.1	Basic safety instructions	11
2.1.1	Observe notes in the operating instructions	11
2.1.2	Obligation on the part of the operator	11
2.1.3	Obligation on the part of the personnel	11
2.1.4	Hazards involved in handling the grinding machine	11
2.1.5	Malfunctions	12
2.2	Intended use	12
2.3	Warranty and liability	12
2.4	Safety regulations	13
2.4.1	Organizational measures	13
2.4.2	Protective equipment	13
2.4.3	Informal safety measures	13
2.4.4	Selection and qualification of personnel	13
2.4.5	Machine control system	14
2.4.6	Safety measures in normal operation	14
2.4.7	Hazards due to electrical power sources	14
2.4.8	Particular hazard areas	14
2.4.9	Servicing (maintenance, repair) and fault rectification	14
2.4.10	Structural alterations to the grinding machine	15
2.4.11	Cleaning the grinding machine	15
2.4.12	Lubricants/oils and greases	15
2.4.13	Relocation of the grinding machine	15
3.	Description	16
3.1	Intended use	16
3.2	Technical specifications	16
3.3	Functional description	17
3.4	Description of the assemblies	18
3.4.1	Dirt tray	19
3.4.2	Control panel	19

Table of Contents

4.	Transport	20
4.1	Transport aids	20
4.2	Transport damage	20
4.3	Transport to another installation site	20
5.	Installation	21
5.1	Selection of qualified personnel	21
5.2	Installation site	21
5.3	Supply connections	21
5.4	Settings	21
5.5	Initial start-up of the grinding machine	22
6.	Commissioning	23
7.	Operation	25
7.1	General grinding fundamentals	25
7.2	Switch on the grinding machine	26
7.3	Sharpening hand knives	26
7.3.1	Setting the grinding angle	26
7.3.2	Sharpening the hand knife on the wet-grinding wheel	27
7.4	Deburring and polishing hand knives	28
7.5	Replacing the wet-grinding wheels	30
7.6	Replacing the polishing disk	32
7.7	Suction Unit	34
8.	Care and maintenance	35
8.1	Cleaning	35
8.1.1	Cleaning agent and lubricant table	35
8.2	Maintenance plan (one-shift operation)	36
9.	Disassembly and disposal	37
9.1	Disassembly	37
9.2	Disposal	37

Table of Contents

10.	Service, spare parts and accessories	38
10.1	Postal address	38
10.2	Service	38
10.3	Wear and spare parts	38
10.4	Accessories	39
10.4.1	Abrasives used etc.	39
11.	Appendix	40
11.1	EU Declaration of Conformity	40

1. Important notes

1.1 Preface to the operating instructions

These operating instructions are intended to make it easy to learn how to use the hand knife sharpening machine, hereafter referred to as the grinding machine, and to properly utilize its features.

These operating instructions contain important notes on how to operate the grinding machine safely, properly and efficiently. Observing these instructions helps to avoid hazards, reduce repair costs and downtimes, and to increase the reliability and service life of the grinding machine.

The operating instructions must be permanently available at the place of use of the grinding machine.

The operating instructions must be read and applied by every person tasked with working with the grinding machine, e.g.:

- transport, installation, commissioning
- operation, including error rectification during operation, as well as
- servicing (maintenance, repair).

Recognized technical standards for safe and professional work must be observed in addition to these operating instructions and the binding accident prevention regulations applicable in the country of use and at the place of use.

1.2 Warnings and symbols in the operating instructions

The operating instructions use the following symbols/designations that must be followed:



The hazard triangle with the signal word "CAUTION" serves as a work safety notice for all work for which there is a risk of personal injury or death.

In these cases, work should be done with special attention and care.



"ATTENTION" is written in places where special attention must be paid to prevent damage or destruction of the grinding machine or its surroundings.



"NOTICE" refers to user tips and especially useful informations.

1. Important notes

1.3 Warning and mandatory signs and their meaning

1.3.1 Warning and mandatory signs on the grinding machine

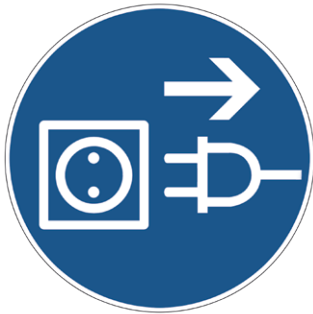
The following warnings and mandatory signs have been affixed on the grinding machine:



**CAUTION! RISK OF INJURY FROM ABRASIVE PARTICLES
(mandatory sign on the top of the machine)**

Grinding, polishing and deburring creates abrasive particles that can enter the eyes.

Wearing eye protection is mandatory when carrying out such work.



**CAUTION! PULL OUT THE POWER PLUG BEFORE OPENING!
(mandatory sign on the knife guide unit and polishing disk cover)**

The grinding machine must be separated from the mains supply before the replacement of grinding wheels or polishing disk.

1.3.2 General warning and mandatory signs

The following general warning and mandatory signs must be observed:



CAUTION! DANGEROUS ELECTRICAL VOLTAGE

The grinding machine carries life-threatening voltage when it is connected to the power supply.

Voltage-carrying device parts may only be opened by authorized personnel.

The grinding machine must be separated from the mains supply before carrying out servicing, maintenance and repair work on it.

1. Important notes



CAUTION! RISK OF INJURY FROM KNIFE!

Working with the grinding machine involves grinding knives that could cause serious cut injuries due to their sharpness.

Caution when transporting knives. Use the protective equipment provided by the knife manufacturer. Protective gloves and safety shoes must be worn.

1. Important notes

1.4 Rating plate and machine serial number

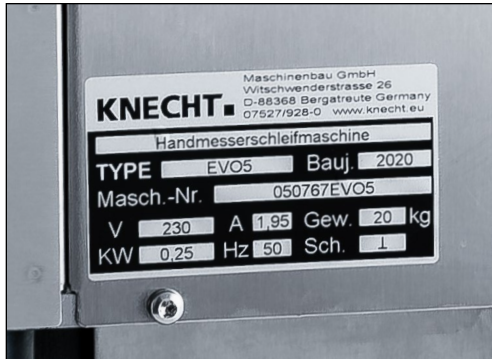


Figure 1-1 Rating plate

The rating plate (1-1) is located on the rear panel of the machine.



Figure 1-2 Machine serial number

The machine serial number (1-2) is located on the rating plate (1-1) and on the base plate behind the grinding unit (see arrow).

1.5 Figure and position numbers in the operating instructions

If the text makes a reference to a machine component depicted in a figure, the figure and position number will be given in brackets.

Example: (7-1/1) means picture number 7-1, position 1.



Figure 7-1 Setting the grinding angle

To adjust the grinding angle, loosen the knurled nut (7-1/1).

Open the knife guides to the maximum angle.

Now set the desired grinding angle (7-1/2) and tighten the nut (7-1/1) again.

2. Safety

2.1 Basic safety instructions

2.1.1 Observe notes in the operating instructions

The basic prerequisite for the safe handling and uninterrupted operation of this grinding machine is knowledge of the basic safety instructions and regulations.

- These operating instructions contain important notes on how to operate the grinding machine safely.
- All persons carrying out work on the grinding machine must follow these operating instructions, in particular the safety notices.
- In addition, the rules and regulations regarding accident prevention at the place of use are to be observed.

2.1.2 Obligation on the part of the operator

The operator is obliged to allow only those persons to work on the grinding machine, who

- are familiar with the occupational safety and accident prevention regulations and have received instruction in handling the grinding machine,
- have read and understood the operating instructions, in particular the section entitled "Safety" and the warning notes, and have provided signed confirmation of this.

The safety-awareness of the personnel at work will be monitored at regular intervals.

2.1.3 Obligation on the part of the personnel

All personnel working on the grinding machine shall be obliged, before starting work, to

- observe basic occupational safety and accident prevention regulations,
- read the operating instructions, particularly the section entitled "Safety" and the warning notes, and provide signed confirmation that they have understood them.

2.1.4 Hazards involved in handling the grinding machine

The grinding machine has been built to the latest technological standards and the recognized rules of technical safety. Nevertheless, its use may result in danger to life and limb of the user or third parties, or damage to the grinding machine or other property.

The grinding machine may be used only:

- for its intended purpose
- in a safe and secure condition.

Malfunctions that may impair safety are to be eliminated immediately.

2. Safety

2.1.5 Malfunctions

If safety-relevant malfunctions occur with the grinding machine, or if the processing behavior indicates that such malfunctions may have occurred, the grinding machine must be stopped immediately and until such time as the malfunction has been found and eliminated.

Allow only authorized trained personnel to eliminate the malfunctions.

2.2 Intended use

The grinding machine is only suitable for sharpening, deburring and polishing hand knives of 50 – 550 mm in length.

Any other use or use beyond this is not considered as intended. KNECHT Maschinenbau GmbH is not liable for any damage arising from this. The risk is borne solely by the user.

Intended use also includes observing all instructions in the operating manual.

ATTENTION

Improper use of the grinding machine exists, for example, if:

- **fixtures are not properly attached.**
- **knives are deburred and polished in the opposite direction of the cutting edge on the polishing disk.**
- **workpieces other than hand knives are ground.**

2.3 Warranty and liability

Warranty and liability claims in case of personal injury or property damage are excluded if such damage is attributable to one or more of the following causes:

- improper use of the grinding machine,
- improper transport, commissioning, operation, and maintenance of the grinding machine,
- operating the grinding machine with defective safety devices, or using improperly attached or malfunctioning safety and protective equipment,
- failure to observe the instructions with regard to transportation, commissioning, operation, maintenance and repair of the grinding machine,
- unauthorized structural alterations to the grinding machine,
- unauthorized modification, e.g. of the drive conditions (output and speed),

2. Safety

- failure to monitor machine parts that are subject to wear, and
- use of unapproved replacement and wear parts.

Use only original replacement and wear parts. If externally purchased parts are used, it is not guaranteed that they have been designed and manufactured to meet the requirements in terms of stress and safety.

2.4 Safety regulations

2.4.1 Organizational measures

Inspect all available safety devices regularly.

Observe prescribed intervals for recurring maintenance work or as specified in the operating instructions!

2.4.2 Protective equipment

Before every commissioning of the grinding machine, ensure that all protective equipment is properly mounted and in functional condition.

Protective equipment may only be removed after the grinding machine has come to a complete stop and has been secured against restarting.

When attaching spare parts, the protective equipment must be attached by the operator as stipulated.

2.4.3 Informal safety measures

The operating instructions must be permanently available at the place of use of the grinding machine. In addition to the operating instructions, the generally applicable as well as locally relevant accident prevention regulations must also be made available and observed.

All safety alert symbols and hazard warnings on the grinding machine must be complete and clearly legible.

2.4.4 Selection and qualification of personnel

Only trained and instructed personnel may work on the grinding machine. Observe the legally permitted minimum age!

The responsibilities of personnel with respect to commissioning, operation, maintenance, and repair must be clearly specified.

Personnel still undergoing training or instruction may only work on the grinding machine under the permanent supervision of an experienced person!

2. Safety

2.4.5 Machine control system

Only trained and instructed personnel are permitted to switch on and operate the machine.

2.4.6 Safety measures in normal operation

Do not operate the machine in any unsafe manner. Only operate the grinding machine if all the safety devices are installed and fully functional.

At least once per shift (or per day), check the grinding machine for externally visible damage and proper functioning of the safety devices.

Immediately report any changes present (including those of the operating behavior) to the responsible office or person. If necessary, immediately shut down the grinding machine and secure it against restart.

Before you switch on the grinding machine, ensure that no one can be injured by the start-up of the machine.

In the event of a malfunction, immediately stop the grinding machine and secure it against restart. Rectify malfunctions immediately.

2.4.7 Hazards due to electrical power sources

Work on electrical systems or operating materials may only be performed by a qualified electrician, in accordance with electrical regulations.

Defects, such as damaged cables, cable connections, etc. must be immediately rectified by an authorized specialist.

2.4.8 Particular hazard areas

In the area of the grinding wheels and polishing disk there is a hazard of pinching and of drawing in e.g. clothing, fingers and hair. Suitable personal protective equipment must be worn.

2.4.9 Servicing (maintenance, repair) and fault rectification

Maintenance work is to be carried out on schedule by trained personnel. Inform operating personnel before beginning repair work. Designate a supervisor responsible for this.

For all service work, the grinding machine is to be disconnected from the power supply and secured against accidental restart. Remove power plug. Secure repair area as necessary.

After completing maintenance work and rectifying any faults, install all safety devices and verify that they are fully functional.

2. Safety

2.4.10 Structural alterations to the grinding machine

Do not make any changes, additions or conversions to the grinding machine without the approval of the manufacturer. This also applies to the installation and setup of safety devices.

Any conversion work requires the written permission from KNECHT Maschinenbau GmbH.

Immediately replace any machine parts that are not in a serviceable state.

Use only original replacement and wear parts. If externally purchased parts are used, it is not guaranteed that they have been designed and manufactured to meet the requirements in terms of stress and safety.

2.4.11 Cleaning the grinding machine

Properly handle any cleaning agents and materials used and dispose of them in an environmentally-friendly manner.

Dispose of the wear parts and replacement parts in a safe and environmentally-friendly manner.

2.4.12 Lubricants/oils and greases

When using oils and greases, follow the safety regulations applicable to the product. Comply with the special regulations for the food areas.

2.4.13 Relocation of the grinding machine

Disconnect the grinding machine from any external power supply, even in the event of a minor change of location. Before restarting the grinding machine, connect it properly to the power supply.

3. Description

3.1 Intended use

The EVO 5 Hand Knife Sharpening Machine can be used to sharpen, deburr and polish hand knives with a length of 50–550 mm.

3.2 Technical specifications

Height	420 mm
Width	350 mm
Depth	350 mm
Space requirements (DxW)	approx. 500 x 600 mm
Weight	approx. 20 kg
Power supply*	1x 230 V
Mains frequency*	50 Hz
Output*	0.25 kW
Power consumption*	0.25 kW
Current consumption*	1.95 A
Back-up fuse	16 A
Operating noise level (measured A-weighted emission sound pressure level at the workplace LpA)**	approx. 71 dB (A)
Diameter wet-grinding wheels	125 mm
Operating noise level wet-grinding wheels	approx. 73 db (A)
Diameter polishing disk	210 mm
Operating noise level polishing disk	approx. 76 db (A)
Speed	2800 rpm

*) This information may change depending on the electrical power supply.

**) Two-digit sound emission value according to EN ISO 4871 (measurement uncertainty KpA. 3 dB (A)). Emission sound pressure level according to EN ISO 11201. A hand knife from Giesser was sharpened.

3. Description

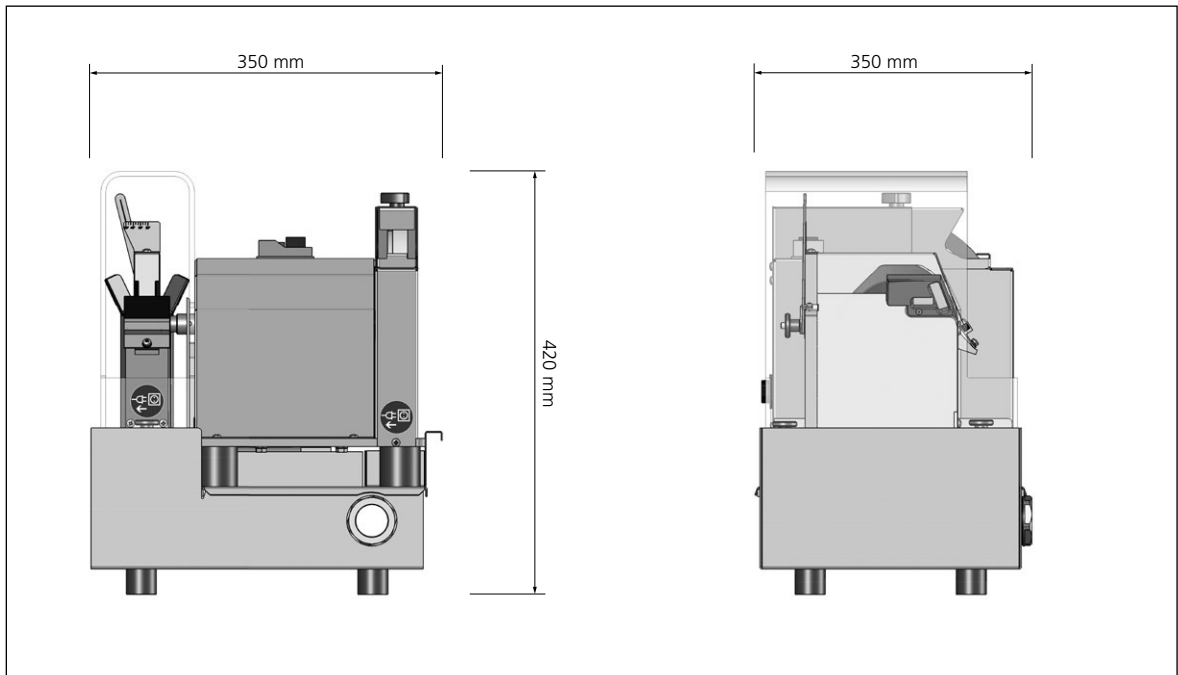


Figure 3-1 Dimensions in mm

3.3 Functional description

The EVO 5 Hand Knife Sharpening Machine can be used to sharpen, deburr and polish hand knives with a length of 50–550 mm.

The machine is equipped with a double wet-grinding wheel set and a polishing disk.

3. Description

3.4 Description of the assemblies



Figure 3-2 General view of grinding machine

- 1 Splash guard
- 2 Angle adjustment
- 3 Wet-grinding wheels
- 4 Knife guides
- 5 Water tray
- 6 Polishing disk
- 7 Water level indicator

3. Description

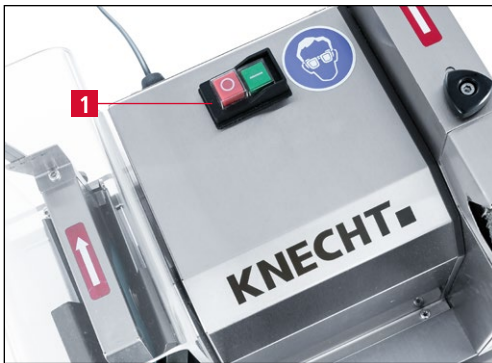
3.4.1 Dirt tray



- 1 Dirt tray
- 2 Suction nozzle

Figure 3-3 Dirt tray with suction nozzle

3.4.2 Control panel



- 1 "ON / OFF" switch

Figure 3-4 Control panel

4. Transport



When transporting, observe the local applicable safety and accident prevention regulations.

Only transport the grinding machine with the machine feet facing downwards.

4.1 Transport aids

For transporting and for setting up of the grinding machine, only use adequately dimensioned transport aids.

4.2 Transport damage

If damage is detected during acceptance of the delivery, immediately inform the distributor and the forwarding agent. If necessary, an independent expert must be called in immediately.

Remove packaging and fastening straps. Remove the shipping straps on the grinding machine. Dispose of packaging in an environment-friendly manner.

4.3 Transport to another installation site

For transport to another installation site, ensure that the space requirements are fulfilled (see Chapter 3.2).

A permissible electrical connection must be provided at the new installation site. The grinding machine must stand firmly and securely.



Work on the electrical unit is only to be carried out by an authorized specialist. Observe the locally applicable safety and accident prevention regulations.

5. Installation

5.1 Selection of qualified personnel



We recommend having the installation work on the grinding machine carried out by the trained KNECHT personnel.

We are not liable for any damage resulting from improper installation.

5.2 Installation site

When determining the installation site, bear in mind the space required for installation as well as maintenance and repair work on the grinding machine (see Chapter 3.2).

5.3 Supply connections

The grinding machine is provided ready to connect with the corresponding connection cable.



Ensure that the power supply is connected correctly.

5.4 Settings

KNECHT Maschinenbau GmbH will configure the various components as well as the electrical system before delivery.

ATTENTION

Unauthorized alterations to the preset values are not permitted and can damage the grinding machine.

5. Installation

5.5 Initial start-up of the grinding machine

Place the grinding machine at the installation site on a level table or base. The table height should be approx. 70–80 cm max.

The ideal working height is achieved when the machine operator has to raise his shoulder only slightly when sharpening (rolling) the knife tip.

Completely install and inspect the protective equipment before commissioning.



CAUTION

Have all protective equipment checked for proper functioning by authorized trained personnel before commissioning the machine.

6. Commissioning



CAUTION

All work may only be carried out by authorized specialist personnel.

Observe the locally applicable safety and accident prevention regulations.

There is a risk that hands, hair and clothing may be pulled in while the grinding machine is switched on.

Serious injuries are possible. Wear personal protective equipment.



Figure 6-1 Inserting the magnetic bar

Place the magnetic bar (6-1/1) in the holder (6-1/2) provided in the water tray.



Figure 6-2 Filling the water tray

Fill water tray (6-2/1) with approx. 3.5 liters of water.

ATTENTION

The magnetic bar prevents dirty water from entering the cooling circuit.

Only operate the grinding machine when the magnetic bar is inserted!

6. Commissioning

Connect the machine plug to the socket provided on site (1x 230 V, 16 A).



Figure 6-3 Checking rotating direction

Turn on the grinding machine by pressing the "ON/OFF" switch (6-3/1).

The wet-grinding wheels and polishing disk rotate.

Check the rotating direction. The direction arrows (6-3/2) indicate the direction of rotation of the wet-grinding wheels and polishing disk.

After ensuring the prescribed direction of rotation, turn off the grinding machine.

ATTENTION

If the direction of rotation is not correct, immediately stop the machine, secure it and notify the KNECHT service.

7. Operation

7.1 General grinding fundamentals

To sharpen the cutting edge which has become blunt, the metal must be removed from the knife.

To do so, grind the knife up to the cutting edge until a small burr appears.

The burr is gently removed with the polishing disk under moderate pressure. To do this, move the knife from the knife handle to the knife tip alternately to the left and right over the polishing disk (left – right – left – right – left, etc.). Repeat the process approx. 6 times until the knife edge is burr-free and smooth.

As it is not only the sharp cutting edge, but also the long service life that define a blade, the cutting edge angle is another important indicator of a blade's performance.

In theory, the smaller the cutting edge angle, the higher the service life. In practice, however, it seems that a cutting edge angle that is too small results in the cutting edge breaking off and thus becoming blunt.

The cutting edge angle is therefore between 25° and 35°. For cutting edge angles below 15°, the cutting edge is so unstable that it snaps with the smallest resistance. For a cutting edge angle of more than 40°, the cutting edge is extremely stable but it loses sharpness very fast.

In essence: The profile and cutting edge angle stipulated by the manufacturer must be maintained.

7. Operation



All work may only be carried out by authorized specialist personnel.

Observe the locally applicable safety and accident prevention regulations.

There is a risk that hands, hair and clothing may be pulled in while the grinding machine is switched on.

Serious injuries are possible!

7.2 Switch on the grinding machine



Figure 7-1 Control panel

Switch on the grinding machine using the "ON/OFF" switch (7-1/1).

The wet-grinding wheels and polishing disk rotate.

7.3 Sharpening hand knives

7.3.1 Setting the grinding angle



Figure 7-2 Setting the grinding angle

To adjust the grinding angle, loosen the knurled nut (7-2/1).

Open the knife guides to the maximum angle.

Now set the desired grinding angle (7-2/2) and tighten the nut (7-2/1) again.

NOTE

When setting the grinding angle, always set the maximum angle first. Then go from the maximum angle to the desired angle.

7. Operation

7.3.2 Sharpening the hand knife on the wet-grinding wheel

NOTE



Figure 7-3 Sharpening hand knives

Knives must be cleaned before sharpening.

To sharpen the knife, place it in the knife guide as close as possible to the handle (7-3/1). The knife guide is magnetic and helps to guide the knife precisely.

Align the blade horizontally and pull slowly and with equal pressure along the grinding wheel towards the tip.

In the area of the knife tip, move the handle upwards according to the shape of the knife.



Figure 7-4 Sharpening hand knives

Repeat the process alternately on the right and left side until a fine burr appears.

Then deburr and polish the hand knife on the polishing disk as described in Chapter 7.4.

After the sharpening process is completed, switch of the grinding machine using the "ON/OFF" switch (7-1/1).

7. Operation

7.4 Deburring and polishing hand knives



There is a risk that hands, hair and clothing may be pulled in while the grinding machine is switched on.

Never hold the cutting edge against the running direction of the polishing disk. Serious injuries are possible!

Polishing and deburring creates abrasive particles that can enter the eyes. Wear safety glasses. Wear a face mask.



Figure 7-5 Applying the polishing paste

Switch on the grinding machine.

Apply polishing paste (7-5/1) briefly to the running polishing disk (7-5/2) with little pressure.



Figure 7-6 Polishing hand knives

To deburr/polish, place the knife on the polishing disk (7-6/1) at an angle of approx. 30°. The cutting edge should not run across, but at an angle to the polishing disk.

The burr is gently removed under moderate pressure.

To do this, move the knife from the knife handle to the knife tip alternately to the left and right over the polishing disk (left – right – left – right – left, etc.).

Repeat the process approx. 4–6 times until the knife edge is burr-free and smooth.

After the polishing process is completed, switch off the grinding machine.

NOTE

Polish the blade only until the burr is removed.

Apply polishing paste to the polishing disk again after approx. 5–7 knives.

7. Operation

NOTE

After sharpening, deburring and polishing the knives must be cleaned and disinfected.

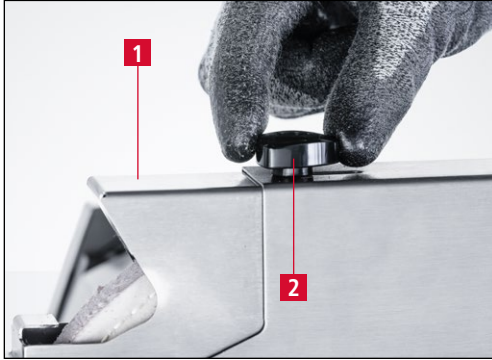


Figure 7-7 Moving the polishing disk cover

If the polishing disk is badly worn, the cover (7-7/1) can be opened with the star handle (7-7/2) and moved back a little.

7. Operation

7.5 Replacing the wet-grinding wheels



For all work on the grinding machine, observe the locally applicable safety and accident prevention regulations as well as instructions in the "Safety" and "Important notes" section of the operating instructions.

CAUTION

Disconnect the power plug before changing the grinding wheels.

Never turn on the machine without the covers on. Risk of injury!

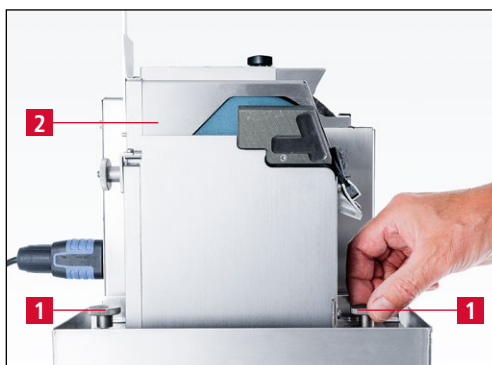


Figure 7-8 Removing the knife guide unit

Loosen the knurled nuts (7-8/1) **counterclockwise** and remove the complete knife guide unit (7-8/2) upwards.

NOTE

Always replace grinding wheels in pairs!

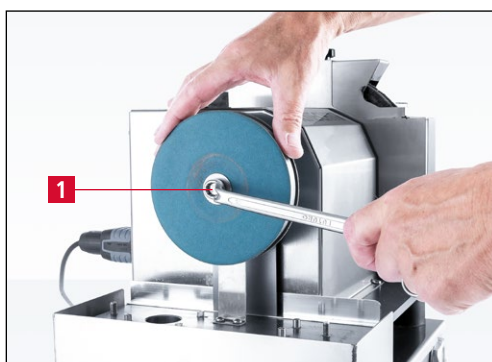


Figure 7-9 Loosening the screw

Loosen the screw (7-9/1) **counterclockwise** using an AF 10 mm ring spanner and remove it.

7. Operation



Figure 7-10 Removing the used grinding wheels

Remove used wet-grinding wheels (7-10/1) including holding fixture (base body) (7-10/2).



Figure 7-11 Mounting a new pair of grinding wheels

Place a new pair of grinding wheels on the holding fixture (7-11/1) and place everything together on the shaft.

Retighten the screw (7-9/1).

Rinse the complete knife guide unit under running water.

Reattach the knife guide unit and secure it with the knurled nuts (7-8/1).

ATTENTION

Only original abrasives from KNECHT Maschinenbau GmbH are permitted to be used.

KNECHT Maschinenbau GmbH assumes no responsibility for the use of non-original abrasives.

7. Operation

7.6 Replacing the polishing disk



CAUTION

For all work on the grinding machine, observe the locally applicable safety and accident prevention regulations as well as instructions in the "Safety" and "Important notes" section of the operating instructions.

Disconnect the power plug before changing the polishing disk.

Never turn on the machine without the covers on. Risk of injury!

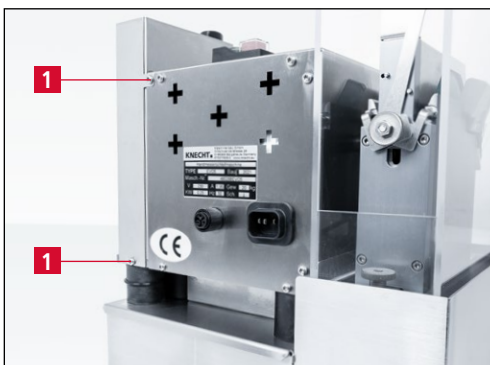


Figure 7-12 Loosening the polishing disk cover

Loosen the two screws (7-12/1) on the rear of the machine using a T20 Torx screwdriver.



Figure 7-13 Loosening the polishing disk cover

Loosen the screw (7-13/1) on the front using a T20 Torx screwdriver.

7. Operation

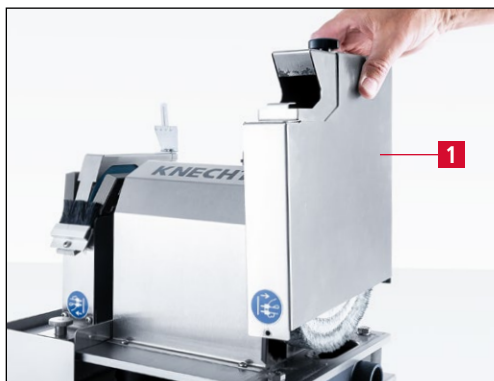


Figure 7-14 Removing the polishing disk cover

Remove the polishing disk cover (7-14/1) by lifting it upwards.

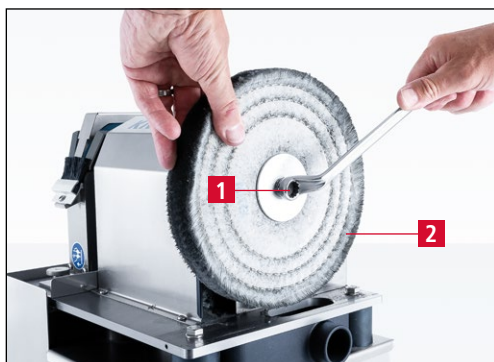


Figure 7-15 Loosening the polishing disk

Loosen the clamping screw of the polishing disk (7-15/1) **clockwise** (left-hand thread) using a AF 13 mm ring spanner.

Remove the used polishing disk (7-15/2).



Figure 7-16 Replacing the polishing disk

Place a new polishing disk (7-16/1) on the shaft (7-16/2) and tighten.

Rinse the polishing disk cover under running water.

Reattach the cover and secure it with the three screws (7-12/1) and (7-13/1).

NOTE

The clamping screw (7-15/1) of the polishing disk has a left-hand thread.

7. Operation

7.7 Suction Unit



Figure 7-17 Dirt tray with suction nozzle

The dirt tray (7-17/1) of the EVO5 is equipped as standard with a suction nozzle (7-17/2) for commercial industrial vacuum cleaners.

ATTENTION

The machine may only be operated with a suction unit (industrial vacuum cleaner).

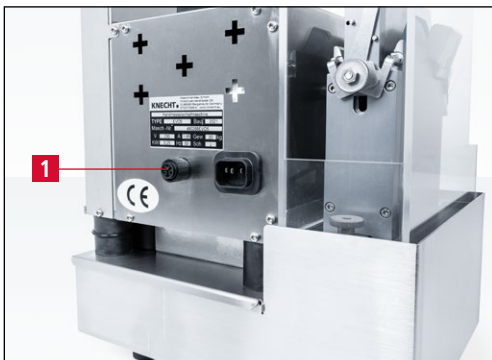


Figure 7-18 Connection for industrial vacuum cleaner

On the rear of the machine there is a connection (7-18/1) for commercial industrial vacuum cleaners.

NOTE

The standard scope of delivery includes a socket (7-18/1) and a plug for commercial industrial vacuum cleaners.

8. Care and maintenance



CAUTION

For all work on the grinding machine, observe the locally applicable safety and accident prevention regulations as well as instructions in the "Safety" and "Important notes" section of the operating instructions.

8.1 Cleaning

The machine must be cleaned with a soft cloth and care spray after each grinding process, otherwise the grinding abrasion dries and is difficult to remove.

After cleaning, we recommend the products listed below for care of the machine (see also the table of cleaning agents and lubricants in Chapter 8.1.1). The coolant water must be replaced daily.

ATTENTION

The grinding machine must not be sprayed with water.

8.1.1 Cleaning agent and lubricant table

Cleaning / Lubrication work	Interflon	WÜRTH	SHELL	EXXON Mobil	OEST
Cleaning and care of machine parts	Dry Clean Stainless Steel	Stainless steel care spray	Risella 917	Marcol 82	New Process Multispray
Lubrication of threads and sliding surfaces	Fin Grease	Multi-purpose grease	Gadus S2 V1002	Mobilith SHC 100	IXELON GOC 190

8. Care and maintenance

8.2 Maintenance plan (one-shift operation)

Interval	Assembly	Maintenance task
Daily	Water tray	Replacing the coolant.
	Magnetic bar	Remove and dispose of the grinding abrasion; clean the magnetic bar under running water.
	Knife guide unit	Clean under running water, afterwards spray with care spray.
	Entire grinding machine	Clean with a soft cloth and care spray.
Weekly	Polishing disk cover	Dispose of the polishing abrasion and clean the polishing disk cover under running water, afterwards spray with care spray.
Annually		Contact the service department of KNECHT Maschinenbau GmbH.

9. Disassembly and disposal

9.1 Disassembly

All operating materials must be disposed of properly.

Secure moving parts against slippage.

Disassembly must be conducted by a qualified specialist.

9.2 Disposal

After the machine has reached the end of its service life, it must be disposed of by a qualified specialist. In exceptional situations, and after consultation with KNECHT Maschinenbau GmbH, the machine may be returned.

Operating materials (e.g. wet-grinding wheels, polishing disks etc.) must be disposed of correctly.

10. Service, spare parts and accessories

10.1 Postal address

KNECHT Maschinenbau GmbH
Witschwender Straße 26
88368 Bergatreute
Germany

Phone +49-7527-928-0
Fax +49-7527-928-32

mail@knecht.eu
www.knecht.eu

10.2 Service

Service line:

For address, see postal address

service@knecht.eu

10.3 Wear and spare parts

If you need spare parts, please use the spare parts list provided with the machine. Please place your order using the format described below.

When ordering, please always provide:	(example)
Machine type	(EVO 5)
Machine number	(050767EVO 5)
Designation of assembly	(Base plate)
Designation of single part	(Grinding wheels set of 2)
Item number (position number)	(40)
Drawing number (article number)	(412B-00-0020)
Quantity	(1 pc)

We are always happy to answer any questions.

10. Service, spare parts and accessories

10.4 Accessories

10.4.1 Abrasives used etc.

Designation	Dimensions	Grain	Article number	Notes
Grinding wheels set of 2	d.125 mm	150	412B-00-0020	Installed on delivery
Polishing disk	d.210		412Z-01-0010	Installed on delivery
Polishing paste	95x30 mm		412Z-02-0010	Included in scope of delivery

ATTENTION

Only original abrasives, wear and spare parts from KNECHT Maschinenbau GmbH are permitted to be used.

KNECHT Maschinenbau GmbH assumes no responsibility for the use of non-original parts.

If you require abrasives or other accessories, please contact our sales staff and distributors, or KNECHT Maschinenbau GmbH directly.

Thank you for choosing KNECHT!

11. Appendix

11.1 EU Declaration of Conformity

in accordance with EU Directive 2006/42/EU

- Machinery 2006/42/EU
- Electromagnetic Compatibility 2014/30/EU

We hereby declare that the machine designated as follows, due to its construction and design, as well as the version we placed on the market, complies with the relevant fundamental safety and health requirements of the applicable EU Directive.

In case of a modification of the machine not agreed with us, this declaration loses its validity.

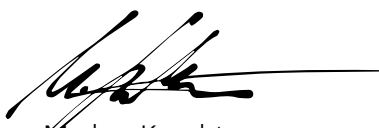
Designation of machine:	Hand Knife Sharpening Machine
Model designation:	EVO 5
Machine number:	from no. 010767EVO5
Applicable harmonized standards, in particular:	DIN EN 12100-1 DIN EN 12100-2 DIN EN 60204-1 ISO 13857 DIN EN 349
Responsible for documentation:	Andreas Doerr (State-certified technician) Phone +49-7527-928-81 a.doerr@knecht.eu
Manufacturer:	KNECHT Maschinenbau GmbH Witschwender Straße 26 88368 Bergatreute Germany

A complete technical documentation is available. The operating instructions document for the machine is available in its original version and in the native language of the user.

The validity of the declaration expires in the event of changes to the legal requirements.

Bergatreute, September 8, 2025

KNECHT Maschinenbau GmbH


Markus Knecht
CEO

