

## Fred-E

Hand Knife Honing Device

Status 06.2024 - Version 1.0 | Translation



## Operating Instructions

# Operating Instructions

---

## Fred-E Hand Knife Honing Device

### Manufacturer

KNECHT Maschinenbau GmbH  
Witschwender Straße 26  
88368 Bergatreute  
Germany

Phone +49-7527-928-0  
Fax +49-7527-928-32

mail@knecht.eu  
www.knecht.eu

### Documents for operator of the honing device

Operating Instructions

### Date of issue of the operating instructions

June 25, 2024

### Copyright

These operating instructions as well as the operating documents remain the copyright property of KNECHT Maschinenbau GmbH. They are supplied only to customers and operators of our products and belong to the device.

Without our express permission, these documents may neither be duplicated nor made accessible to third parties, in particular competitor companies.

# Table of Contents

---

<b>1.</b>	<b>Description</b>	<b>5</b>
1.1	Intended use	5
1.2	Technical specifications	5
1.3	Functional description	6
<b>2.</b>	<b>Installation</b>	<b>7</b>
2.1	Installation Fred-E 1 Holder version	7
2.1.1	Mounting the holder	7
2.1.2	Positioning the honing device to the working position	7
<b>3.</b>	<b>Operation</b>	<b>8</b>
3.1	Honing the hand knife	8
<b>4.</b>	<b>Care and maintenance</b>	<b>9</b>
4.1	Cleaning	9
<b>5.</b>	<b>Appendix</b>	<b>10</b>
5.1	EU Declaration of Conformity	10

# 1. Description

---

## 1.1 Intended use

The Fred-E Honing Device restores the original sharpness of the cutting edge of hand knives.

## 1.2 Technical specifications

### Table version

Width \_\_\_\_\_ approx. 215 mm

Depth \_\_\_\_\_ approx. 140 mm

Height \_\_\_\_\_ approx. 230 mm

Weight \_\_\_\_\_ approx. 700 kg

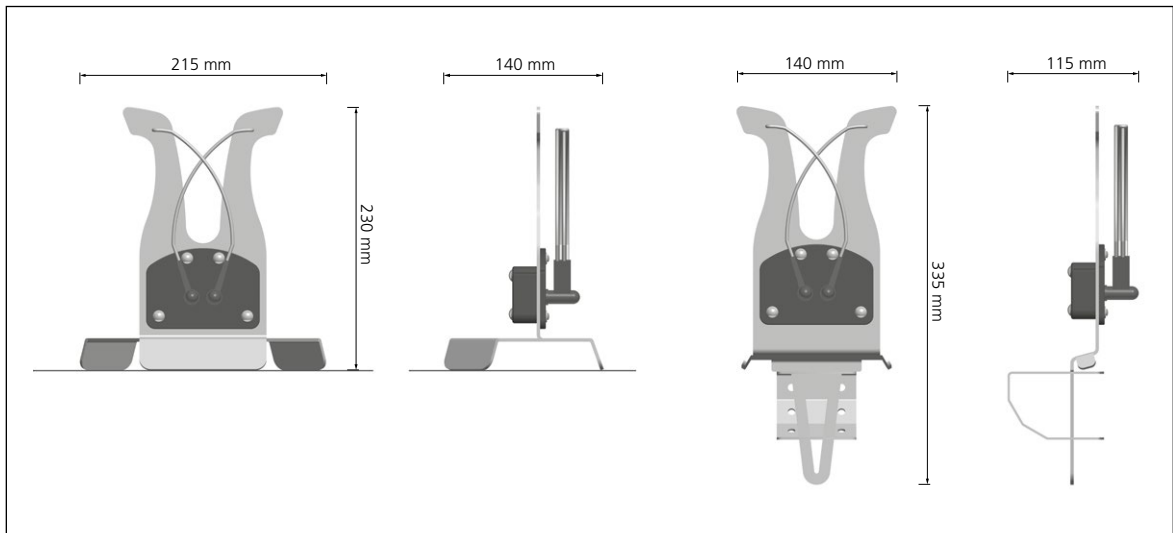
### Holder version

Width \_\_\_\_\_ approx. 140 mm

Depth \_\_\_\_\_ approx. 115 mm

Height \_\_\_\_\_ approx. 335 mm

Weight (without device holder | with device holder) \_\_\_\_\_ approx. 540 g | 700 g



**Figure 1-1** Fred-E 1 | Fred-E 1T Side view and front view (Dimensions in mm)

# 1. Description

---

## 1.3 Functional description

The Fred-E honing device straightens the cutting edge of hand knives with its two honing fingers, restoring the original sharpness in fractions of a second.

By regularly honing the knife, the cutting edge is straightened and smoothed, keeping the knife sharp longer until it needs to be sharpened again.

## 2. Installation

---

### 2.1 Installation Fred-E 1 Holder version

#### 2.1.1 Mounting the holder



Figure 2-1 Holder

To ensure comfortable operation during use, the honing device (2-1/1) can be arranged in various working positions towards the user.

The holder can be mounted in three different positions 90°, 60° or 30°.

#### 2.1.2 Positioning the honing device to the working position



Figure 2-2 Holder

It is also possible to swivel the honing device by 45° towards the user.

To do this, insert the foot of the honing device accordingly into the holder.

## 3. Operation

---

### 3.1 Honing the hand knife



**Figure 3-1** Honing the hand knife

For honing, place the hand knife (3-1/1) as close as possible to the handle at the intersection point of the honing fingers.

Thanks to the synchronized movement of the honing fingers, the knife is guided precisely and incorrect positions are compensated for.

Align the blade horizontally and pull slowly and with equal pressure along the intersection point towards the tip.

In the area of the knife tip, move the handle upwards according to the shape of the knife.

The best result is achieved in the upper third of the honing fingers (3-1/2).

## 4. Care and maintenance

---

### 4.1 Cleaning

The honing device is maintenance-free and requires no special care.

It can be cleaned in the same cleaning process that is specified for the food industry.



# 5. Appendix

---

## 5.1 EU Declaration of Conformity

Our products are used in machines for food production and come into contact with food.

They comply with all regulations prescribed for contact with food.

We confirm that the products comply with the laws and EU directives listed below:

- Regulation EU No. 10/2011
- Framework Regulation EU Nr. 1935/2004
- Directive 2007/19/EC
- Food and Feed Code LFGB

We confirm that we manufacture the products in accordance with good manufacturing practice (Framework Regulation EU No. 2023/2006) and that they are marketable.


The traceability of the individual components that come into contact with foods, is guaranteed at all stages, (EU No. 1935/2004 Art. 17). No substances are released that negatively affect the food or endanger health.

<b>Designation:</b>	Hand Knife Honing Device
<b>Model designation:</b>	Fred-E 1   Fred-E 1T
<b>Responsible for documentation:</b>	Peter Heine (B. Eng. Mechanical Engineering BA) Phone +49-7527-928-15 p.heine@knecht.eu
<b>Manufacturer:</b>	KNECHT Maschinenbau GmbH Witschwender Straße 26 88368 Bergatreute Germany

The validity of the declaration expires in the event of changes to the legal requirements.

Bergatreute, June 25, 2024

KNECHT Maschinenbau GmbH

  
Markus Knecht  
CEO

**KNECHT Maschinenbau GmbH**

Witschwender Straße 26 · 88368 Bergatreute · Germany · T +49-7527-928-0 · F +49-7527-928-32  
mail@knecht.eu · www.knecht.eu